

SYNOX® PS

CANDLE FILTER FOR PVPP STABILISATION

For treatment of beer and other beverages



Characteristics

The SYNOX® PS is a development of FILTRIX's market-leading candle filters, and uses the same robust and reliable, patented STABOX® candles. Recognising the serious shortcomings of «traditional» horizontal pressure-leaf PVPP filters, the SYNOX® PS is based on two decades of positive experience with candle filters. The patented «JETCONTROL II» inlet distributor allows superior flow control.

Higher reliability:

- stable and long-life filter elements (non-fouling, welded, steel wedge-wire lasting >15 years without deterioration)
- a simple and reliable process concept (constant hydraulic conditions)
- no moving parts and few elastomer seals

Lower operating costs:

- lower PVPP losses compared to horizontal leaf filters
- short regeneration- and total downtimes
- infrequent, semi-skilled maintenance
- high productivity and low specific costs

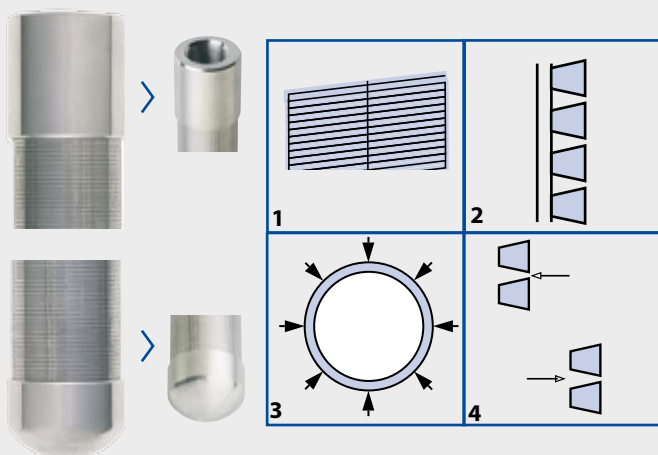
Lower investment costs compared to horizontal leaf filters:

- special foundations not needed
- optimised (smaller & simpler) design
- reduced first charge (fill) of PVPP

Applications

The SYNOX® PS is designed for economical treatment of beer and other beverages by using regenerable PVPP to achieve a long shelf-life, wherein the PVPP is regenerated in-situ. Expensive sacrificial (single-use) PVPP is eliminated. Even for moderate production capacities, the required investment can be amortised in a viable time-scale.

STABOX®-Candle

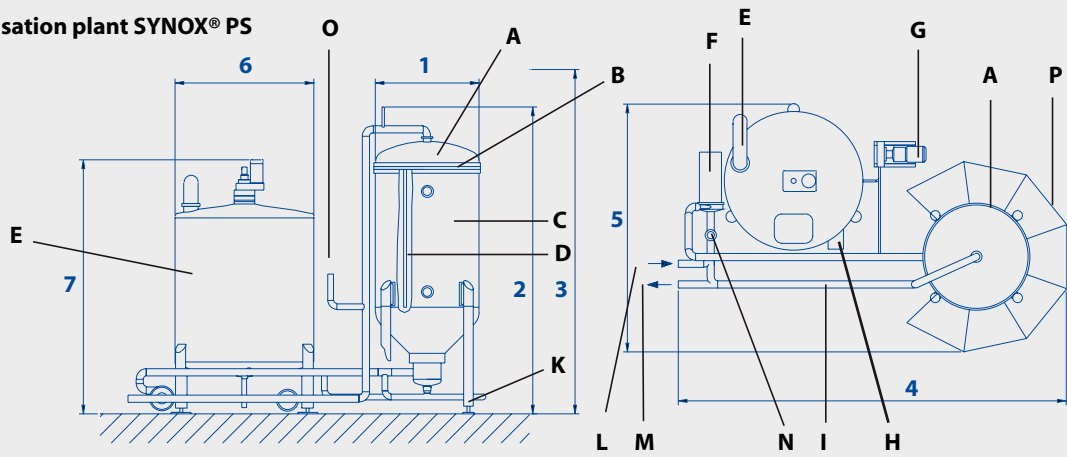


- 1 Spiral of V4A
- 2 Calibrated openings
- 3 High resistance
- 4 No obstructions during filtration
- 5 Perfect cleaning

Technical changes reserved.



Beer stabilisation plant SYNOX® PS



A	Cover	B	Perforated plate	C	Vessel
D	Candles	E	Dosing unit	F	Feed pump
G	Dosing pump	H	Precoat pump	I	Pipe system
K	PVPP-return pipe	L	Product inlet	M	Product outlet
N	Water supply/CIP	O	Gas supply	P	Working platform

Beer stabilisation plant SYNOX® PS

SYNOX® PS size	Filter volume (litres)	Filtration capacity (hl/hr)	max. PVPP load (kg)
800	770	50 – 90	50
1100	1850	90 – 200	125
1300	3200	200 – 350	225
1500	4600	350 – 550	370
1800	7000	550 – 750	540
2000	8700	700 – 950	625
2300	10600	600 – 1200	> 700

Dimensions (mm)

SYNOX® PS	DOSIMAT®	1	2	3	4	5	6	7
800	1100G	800	2700	3200	3800	2160	1256	2423
1100	1700G	1120	3240	3740	4130	2320	1256	2923
1300	4000G	1300	4035	4535	5450	3300	1708	3515
1500	6000G	1500	4350	4850	5950	3700	2010	3685
1800	9000G	1800	4620	5120	6450	3850	2010	4685
2000	12000G	2000	4770	5270	6940	4240	2300	4745
2300	12000G	2300	5135	5635	7240	4390	2300	4745

Options

- Built on lid lifting device allows easy swiveling of filter lid for inspection purposes, available for models 1300 – 2000 (2300 with chain hoist)
- Service platform for easy access during servicing and inspection (available for models 1300 – 2300)
- Emergency pump system with battery back up

Pressure vessel certifications

The SYNOX® pressure filter vessel is available according to the following pressure vessel codes:

- European pressure vessel directive ped
- ASME, U-Stamps, section VIII, div. 1
- Chinese pressure vessel and boiler certificate
- Gosgortechnadisor

Specifications

Vessel:	St. Steel 1.4306 / AISI 304 L
STABOX® candles:	St. Steel 1.4435 / AISI 316 L
Other materials for special applications upon request	
Valves and components:	According to customer specification
Piping:	Metric according to DIN 11850, OD/ ISO/ SCHED #5 Piping upon request